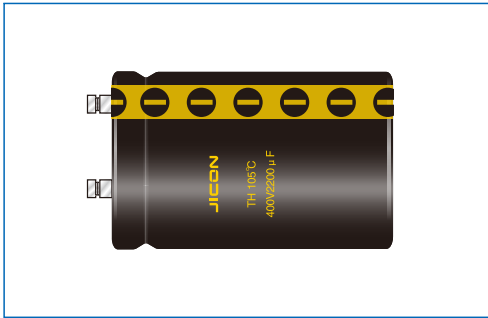


TH-L 系列 SERIES

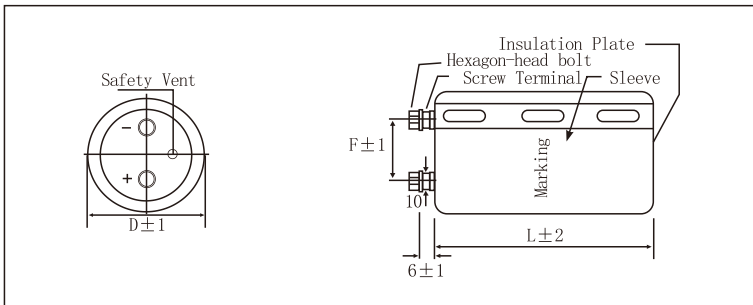
- 5000h at 85°C
- Standard 85°C Profes



◆ SPECIFICATION

Items	Characteristics	
Operating Temperature Range(°C)	-40~+105°C	-25~+105°C
Voltage range (V)	25~+100V	160~450V
Capacitance Range (µF)	220~330000 µF	
Capacitance Tolerance	±20% (at 20°C, 120Hz)	
leakage current (µA)	After 5 minutes at 20°C application of rated voltage ,leakage current is not more than 0.01CVor 5mA, whichever is smaller. C:Nominal Capacitance (µF) V :Rated Voltage (V)	
Dissipation Factor(Tan δ)	Less than values shown in the standard ratings	
Stability at Low Temperature (Impedance Ratio at 120Hz)	capacitance change 25~100VDC:Capacitance at -40°Cshall not less than 60%of the 20°Cvalue 160~450VDC:Capacitance at -25°Cshall not less than 70%of the 20°Cvalue	
Load Life	The following specifications shall be satisfied when the capacitors are restored to 20°C after subjected to DC voltage with the rated rippled current is applied for 2000 hours at 105°C	
	Capacitance change	Within ±20%initial value
	D.F. (Tan δ)	Not more than 200% of specified value
	leakage current	Not more than specified value
Shelf Life	The following specifications shall be satisfied when the capacitors are restored to 20°C after exposing them for 5000 hours at 85°Cwithout voltage applied.Before the measurement ,the capacitor shall be preconditioned by applying voltage according to Item 4.1 of JIS C 5101-4.	
	Capacitance change	Within ±20%initial value
	D.F. (Tan δ)	Not more than 200% of specified value
	leakage current	Not more than 200% of specified value

◆ DIMENSIONS(mm)



D	35	50.8	63.5	76	89	100
F	13	22	28	32	32	42

◆ Frequency Coefficient

Frequency (Hz)	50/60Hz	120Hz	300Hz	1kHz	≥10kHz
Coefficient	0.80	1.00	1.10	1.30	1.40

◆ Temperature Coefficient

Temperature	+40	+55	+70	+85	+105	
Coefficient	≤250vF	4.90	3.90	3.00	1.80	1.00
	>250vF	3.80	3.30	2.50	2.00	1.00



◆ STANDARD RATINGS

UR (Surge Voltage) Code	Rated Capacitance	Dissipation Factor 20°C 120Hz	Rated Ripple Current 85°C 120Hz	Size ΦD×L
(V)	(μF)	-	(mA rms)	(mm)
25 (32) 1E	10000	0.35	2900	35×53
	15000	0.35	4200	35×83
	22000	0.35	5100	35×83
	33000	0.40	6300	35×100
	47000	0.40	8000	50.8×75
	68000	0.50	10000	50.8×115
	100000	0.60	11300	63.5×96
	150000	0.80	12900	63.5×115
	220000	1.00	14800	76×115
35 (44) 1V	330000	1.00	19900	89×131
	6800	0.30	2600	35×53
	10000	0.30	3700	35×83
	15000	0.30	4500	35×83
	22000	0.35	5500	35×100
	33000	0.40	6700	50.8×75
	47000	0.45	8100	50.8×96
	68000	0.50	10000	50.8×155
	100000	0.60	12100	63.5×115
50 (63) 1H	150000	0.70	13800	76×115
	220000	0.70	17600	89×131
	3300	0.20	2200	35×53
	4700	0.25	3300	35×53
	6800	0.25	3400	35×83
	10000	0.25	4100	35×83
	15000	0.30	4900	35×100
	22000	0.35	5900	50.8×75
	33000	0.40	7800	50.8×115
63 (79) 1J	47000	0.40	9500	63.5×96
	68000	0.45	11600	63.5×115
	100000	0.50	14100	76×115
	150000	0.50	18900	89×131
	2200	0.15	2100	35×53
	3300	0.20	2200	35×53
	4700	0.20	3100	35×83
	6800	0.20	3700	35×83
	10000	0.25	4400	35×100
80 (100) 1k	15000	0.25	5700	50.8×75
	22000	0.30	6800	50.8×96
	33000	0.30	9200	63.5×96
	47000	0.35	10900	63.5×115
	68000	0.40	13000	76×115
	100000	0.40	17200	89×131
	2200	0.15	2100	35×53
	3300	0.15	3000	35×83
	4700	0.15	3600	35×83
100 (125) 2A	6800	0.20	4000	35×100
	10000	0.20	5200	50.8×75
	15000	0.25	6200	50.8×96
	22000	0.25	8200	63.5×96
	33000	0.30	9700	76×96
	47000	0.30	12500	76×115
	68000	0.30	16400	89×131
	1000	0.15	1400	35×53
	1500	0.15	1700	35×53
100 (125) 2A	2200	0.15	2500	35×83
	3300	0.15	3000	35×83
	4700	0.15	3900	35×100
	6800	0.15	5000	50.8×75
	10000	0.15	6500	50.8×96
	15000	0.20	7600	63.5×96
	22000	0.20	9700	76×96
	33000	0.25	11800	76×130
	47000	0.25	15000	89×131



◆ STANDARD RATINGS

UR (Surge Voltage) Code	Rated Capacitance	Dissipation Factor 20°C 120Hz	Rated Ripple Current 85°C120Hz	Size φD×L
(V)	(μF)	-	(mA rms)	(mm)
160 (200) 2C	470	0.15	1000	35×53
	680	0.15	1100	35×53
	1000	0.15	1700	35×83
	1500	0.15	2000	35×83
	2200	0.15	2700	35×100
	3300	0.15	3500	50.8×83
	4700	0.15	4400	50.8×96
	6800	0.15	5900	63.5×96
	10000	0.15	7600	76×96
	15000	0.15	10300	76×130
200 (250) 2D	22000	0.15	13200	89×131
	330	0.15	800	35×53
	470	0.15	1000	35×53
	680	0.15	1100	35×83
	1000	0.15	1700	35×100
	1500	0.15	2200	50.8×75
	2200	0.15	2800	50.8×96
	3300	0.15	3700	50.8×96
	4700	0.15	4900	63.5×115
	6800	0.15	6300	63.5×115
250 (300) 2E	10000	0.15	8100	76×155
	15000	0.15	10900	89×157
	330	0.15	800	35×53
	470	0.15	1000	35×53
	680	0.15	1400	35×83
	1000	0.15	1900	35×100
	1500	0.15	2300	50.8×75
	2200	0.15	3100	50.8×96
	3300	0.15	4200	63.5×96
	4700	0.15	5400	63.5×115
400 (450) 2G	6800	0.15	6900	76×115
	10000	0.15	9300	76×155
	15000	0.15	12200	89×157
	1000	0.15	2500	50.8×75
	1200	0.15	3000	50.8×96
	1500	0.15	3600	50.8×115
	1800	0.15	4100	50.8×130
	2200	0.15	4500	63.5×96
	2700	0.15	5300	63.5×115
	3300	0.15	6200	63.5×130
	3900	0.15	7200	63.5×155
	3900	0.15	6800	76×115
	4700	0.15	8700	63.5×195
	4700	0.15	7800	76×130
	5600	0.15	9600	63.5×195
	5600	0.15	9200	76×155
6800	0.15	10700	89×157	
8200	0.15	11800	89×157	
10000	0.15	14100	89×196	
450 (500) 2W	220	0.15	1100	35×53
	330	0.15	1500	35×100
	470	0.15	2100	50.8×83
	680	0.15	2700	50.8×96
	1000	0.15	4200	50.8×100
	1500	0.15	5700	50.8×130
	2200	0.15	7300	63.5×115
	3300	0.15	10100	76×130
	4700	0.15	12600	76×155
	5600	0.15	15800	89×157